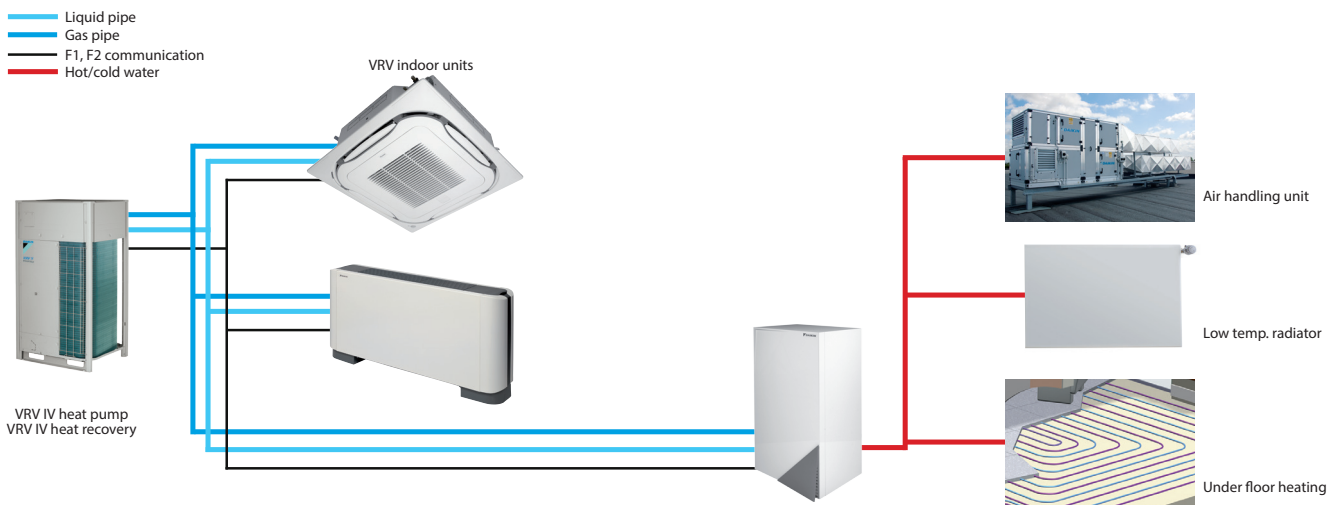


Low temperature hydrobox for VRV

For high efficiency space heating and cooling

- › Air to water connection to VRV for applications such as underfloor, air handling units, low temperature radiators, ...
- › Leaving water temperature range from 5°C to 45°C without electric heater
- › Super wide operating range for hot/cold water production from -20 to +43°C ambient outdoor temperature
- › Saves time on system design as all water-side components are fully integrated with direct control over leaving water temperature
- › Space saving contemporary wall hung design
- › No gas connection or oil tank needed
- › Connectable to VRV IV heat pump and heat recovery

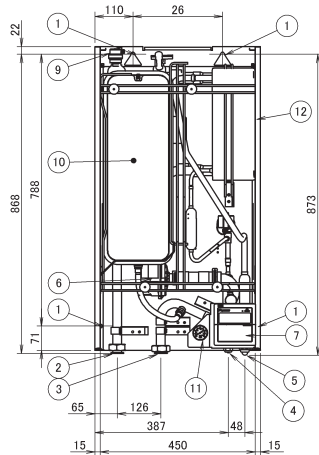
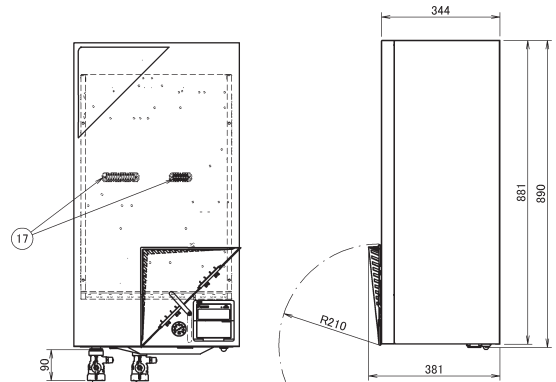
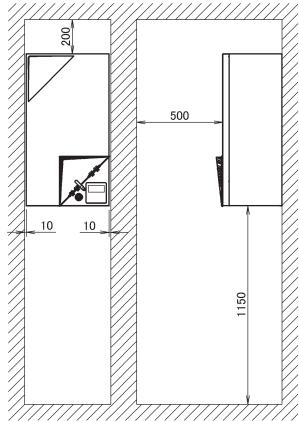


Indoor unit		HXY		080A8	125A8
Cooling capacity	Nom.	kW		8.0	12.5
Heating capacity	Nom.	kW		9.00	14.00
Dimensions	Unit	HeightxWidthxDepth		890x480x344	
Weight	Unit	kg		44	
Casing	Colour	White			
	Material	Precoated sheet metal			
Operation range	Heating	Ambient	Min.~Max.	°C	
		Water side	Min.~Max.	°C	
	Domestic hot water	Ambient	Min.~Max.	°CDB	
		Water side	Min.~Max.	°C	
Refrigerant	Type / GWP	R-410A / 2.087,5			
Refrigerant circuit	Gas side diameter	mm		15.9	
	Liquid side diameter	mm		9.5	
Water circuit	Piping connections diameter	inch		G 1"1/4 (female)	
Power supply	Phase/Frequency/Voltage	Hz/V		1~/50/220-240	
Current	Recommended fuses	A		6~16	

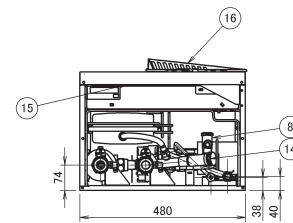
Contains fluorinated greenhouse gases

HXY-A8

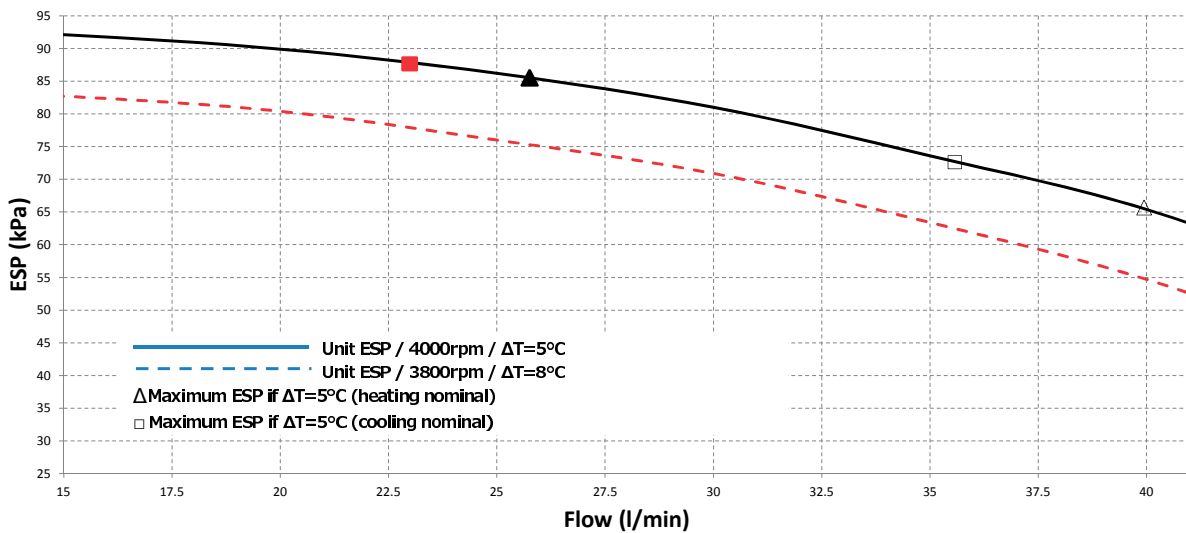
Required space for service and ventilation



- ① Holes (Ø12) for fixation to the wall
- ② Water out connection (1-1/4" F BSP)
- ③ Water in connection (1-1/4" F BSP)
- ④ Refrigerant liquid connection Ø9.52 (flare)
- ⑤ Refrigerant suction connection Ø15.9 (flare)
- ⑥ Pump
- ⑦ User interface
- ⑧ Safety valve (pressure)
- ⑨ Air purge
- ⑩ Expansion vessel
- ⑪ Pressure gauge
- ⑫ Heat exchanger (refrigerant / water)
- ⑬ Shut off valve with drain / fill valve (1-1/4" F BSP) (included accessory)
- ⑭ Water filter
- ⑮ Power supply / Communication wire entrance
- ⑯ Service door
- ⑰ Switchbox terminals



HXY-A8



ESP: External Static Pressure
Flow Water flow through the unit

- Notes
- Selecting a flow outside the operating area can damage the unit or cause the unit to malfunction. See also the minimum and maximum allowed water flow range in the technical specifications.
 - Water quality must be according to EU directive 98/83 EC.

3D097625