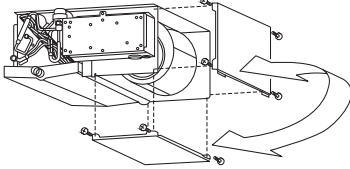


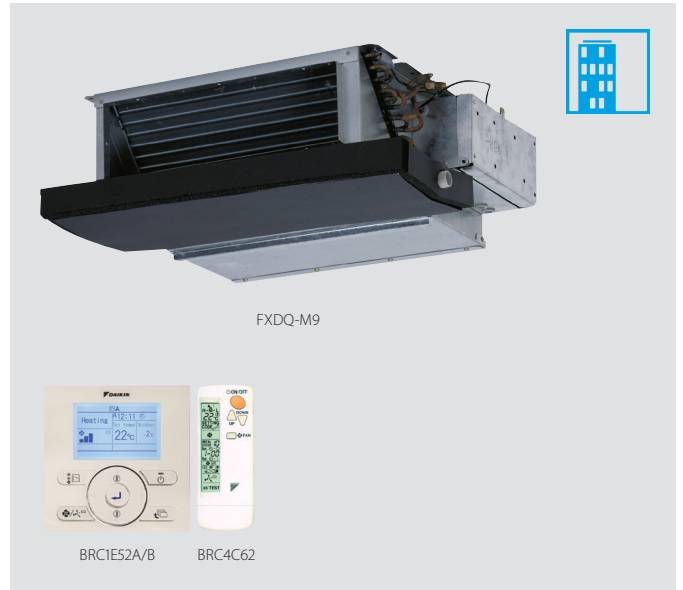
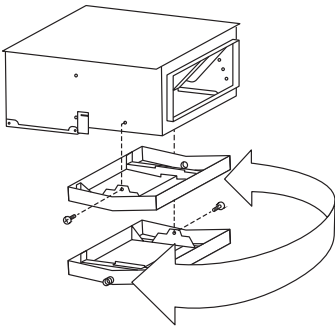
Small concealed ceiling unit

Designed for hotel applications

- › Compact unit (230mm high & 502mm deep), can easily be mounted in narrow ceiling voids
- › Discretely concealed in the ceiling: only the suction and discharge grilles are visible
- › Flexible installation, as the air suction direction can be altered from rear to bottom suction



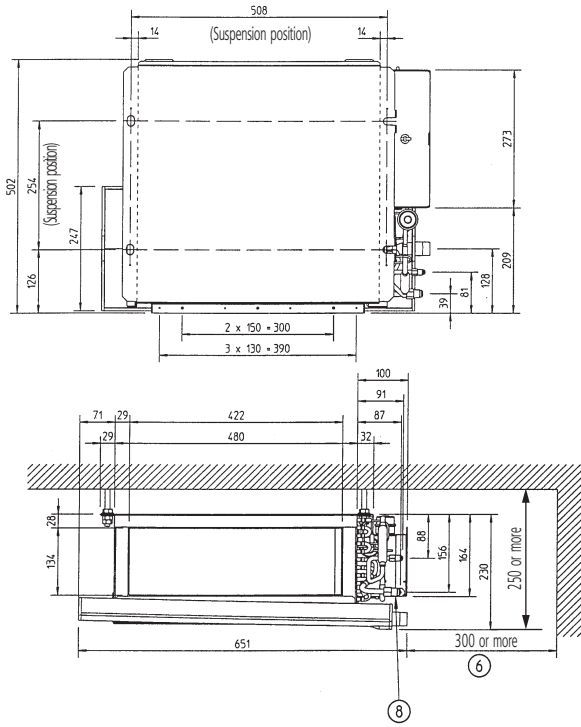
- › For easy mounting, the drain pan can be located to the left or right of the unit



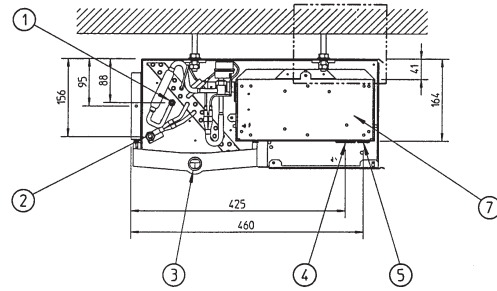
Indoor unit			FXDQ	20M9	25M9
Cooling capacity	Nom.		kW	2.2	2.8
Heating capacity	Nom.		kW	2.5	3.2
Power input - 50Hz	Cooling	Nom.	kW		0.050
	Heating	Nom.	kW		0.050
Dimensions	Unit	Height	mm	230	
		Width	mm	652	
		Depth	mm	502	
Required ceiling void >			mm	250	
Weight	Unit		kg	17	
Casing	Colour			Unpainted	
	Material			Galvanised steel	
Fan-Air flow rate - 50Hz	Cooling	High/Low	m ³ /min	6.7/5.2	7.4/5.8
	Heating	High/Low	m ³ /min	6.7/5.2	7.4/5.8
Air filter	Type			Resin net with mold resistance	
Sound power level	Cooling	Nom.	dB(A)	50	
Sound pressure level	Cooling	High/Low	dB(A)	37/32	
	Heating	High/Low	dB(A)	37/32	
Refrigerant	Type			R-410A	
	GWP			2,087.5	
	Drain			I.D. 21.6, O.D. 27.2	
Piping connections	Liquid	OD	mm	6.35	
	Gas	OD	mm	12.7	
Power supply	Phase/Frequency/Voltage		Hz/V	1~/50/230	
Current - 50Hz	Maximum fuse amps (MFA)		A	16	
Control systems	Infrared remote control			BRC4C62	
	Wired remote control			BRC1D52 / BRC1E52A/B	
	Simplified wired remote control for hotel applications			BRC2E52C (heat recovery type) / BRC3E52C (heat pump type)	

(1) Contains fluorinated greenhouse gases

FXDQ-M9



Nr	Part name
1	Liquid pipe connection (ø 6.35)
2	Gas pipe connection (ø 12.7)
3	Drain hole (o.d. ø 27.2 - i.d. ø 21.6)
4	Transmission wiring port
5	Power supply wiring port
6	Service space
7	Switch box
8	Nameplate



3TW25774-1