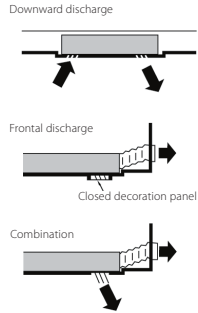


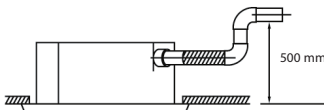
Ceiling mounted corner cassette

1-way blow unit for corner installation

- › Compact dimensions, can easily be mounted in a narrow ceiling void (only 220mm ceiling space required, 195 with panel spacer, available as accessory)
- › Optimum air flow conditions are created by either downward air discharge or frontal air discharge (via optional grille) or a combination of both



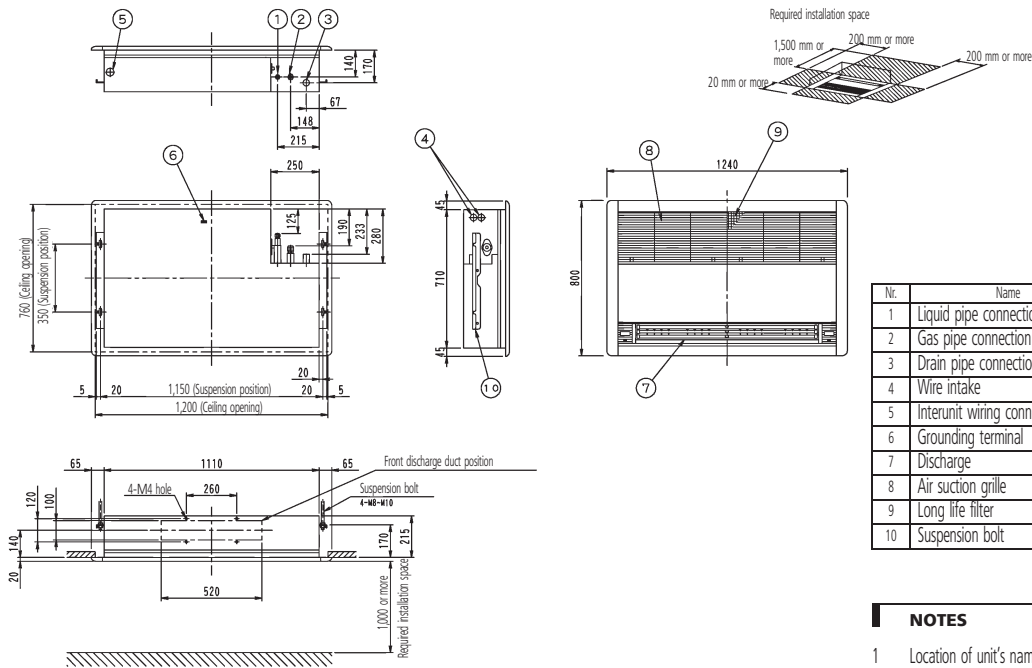
- › Maintenance operations can be performed by removing the front panel
- › Standard drain pump with 330mm lift increases flexibility and installation speed



Indoor unit		FXKQ	25MA	32MA	40MA	63MA
Cooling capacity	Nom.	kW	2.8	3.6	4.5	7.10
Heating capacity	Nom.	kW	3.2	4.0	5.0	8.00
Power input - 50Hz	Cooling	Nom.		0.066	0.076	0.105
	Heating	Nom.		0.046	0.056	0.085
Dimensions	Unit	Height	215			
		Width	1,110		1,310	
		Depth	710			
Weight	Unit	kg	31		34	
Casing	Material	Galvanised steel plate				
Decoration panel	Model	BYK45FJW1				BYK71FJW1
	Colour	White				
	Dimensions	HeightxWidthxDepth	70x1,240x800			70x1,440x800
	Weight	kg	8.5		9.5	
Fan-Air flow rate - 50Hz	Cooling	High/Low	11/9		13/10	18/15
Air filter	Type	Resin net with mold resistance				
Sound pressure level	Cooling	High/Low	38.0/33.0		40.0/34.0	42.0/37.0
Refrigerant	Type	R-410A				
	GWP	2,087.5				
Piping connections	Liquid	OD	6.35		9.52	
	Gas	OD	12.7		15.9	
	Drain	VP25 (O.D. 32 / I.D. 25)				
Power supply	Phase/Frequency/Voltage	Hz/V	1~/50/60/220-240/220			
Current - 50Hz	Maximum fuse amps (MFA)	A	15			
Control systems	Infrared remote control	BRC4C61				
	Wired remote control	BRC1D52 / BRC1E52A/B				
	Simplified wired remote control for hotel applications	BRC2E52C (heat recovery type) / BRC3E52C (heat pump type)				

(1) Contains fluorinated greenhouse gases

FXKQ25, 32, 40MA



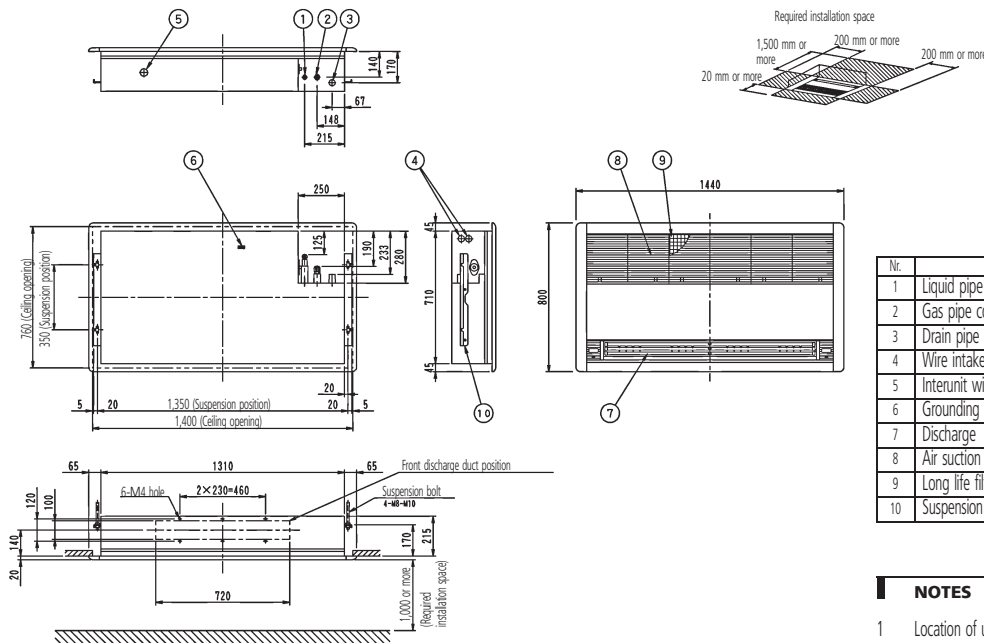
Nr.	Name	Description
1	Liquid pipe connection	ø 6.4 Flare connection
2	Gas pipe connection	ø 12.7 Flare connection
3	Drain pipe connection	VP25 (O.D. ø 32)
4	Wire intake	
5	Interunit wiring connection	
6	Grounding terminal	Inside switch box (M4)
7	Discharge	
8	Air suction grille	
9	Long life filter	
10	Suspension bolt	

NOTES

- Location of unit's name plate:
 - For main body: Bottom part of fan housing inside of air suction grille.
 - For decoration panel: Service lid face inside of air suction grille.
- When installing an optional accessory, refer to the installation drawings.

3D038840

FXKQ63MA



Nr.	Name	Description
1	Liquid pipe connection	ø 9.5 Flare connection
2	Gas pipe connection	ø 15.9 Flare connection
3	Drain pipe connection	VP25 (O.D. ø 32)
4	Wire intake	
5	Interunit wiring connection	
6	Grounding terminal	Inside switch box (M4)
7	Discharge	
8	Air suction grille	
9	Long life filter	
10	Suspension bolt	

NOTES

- Location of unit's name plate:
 - For main body: Bottom part of fan housing inside of air suction grille.
 - For decoration panel: Service lid face inside of air suction grille.
- When installing an optional accessory, refer to the installation drawings.

3D038841