

7 Dimensional drawings

7 - 1 Dimensional Drawings

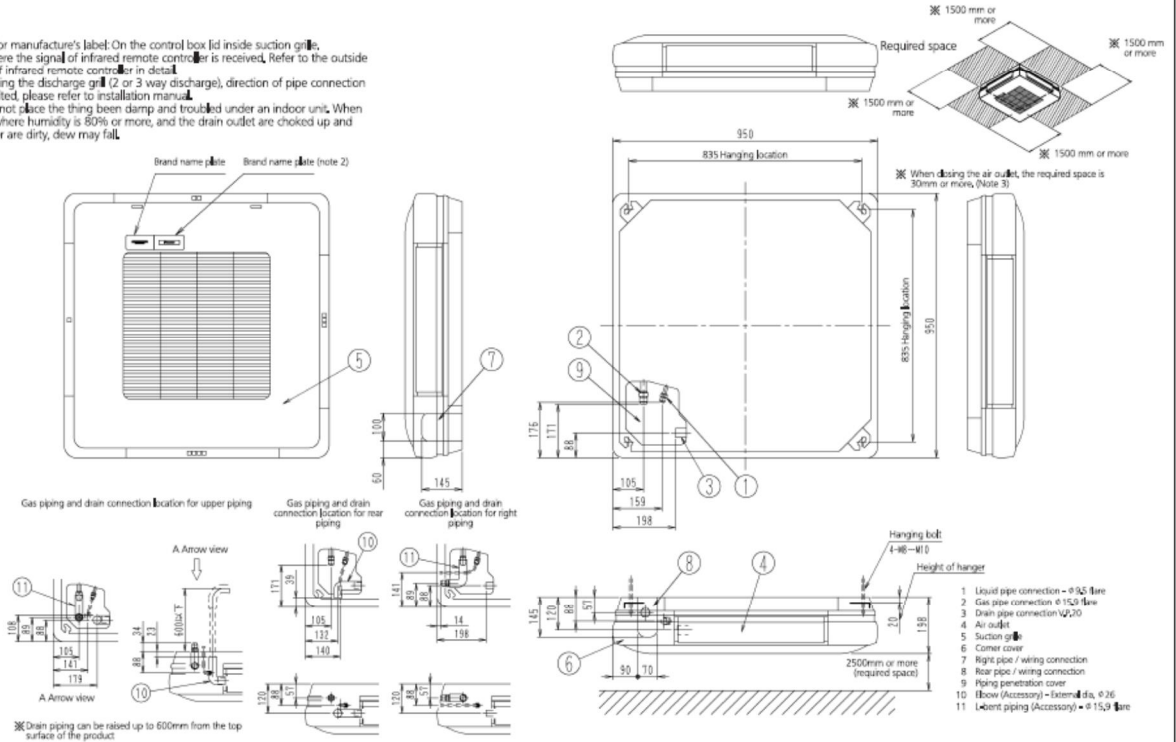
7

FXUQ-A

Note:

1. Location for manufacturer's label: On the control box lid inside suction grille.
2. This is where the signal of infrared remote controller is received. Refer to the outside drawing of infrared remote controller in detail.
3. When using the discharge grille (2 or 3 way discharge), direction of pipe connection will be limited, please refer to installation manual.
4. Please do not place the thing been damp and troubled under an indoor unit. When the case where humidity is 80% or more, and the drain outlet are choked up and the air filter are dirty, dew may fall.

(Unit: mm)



3D080135