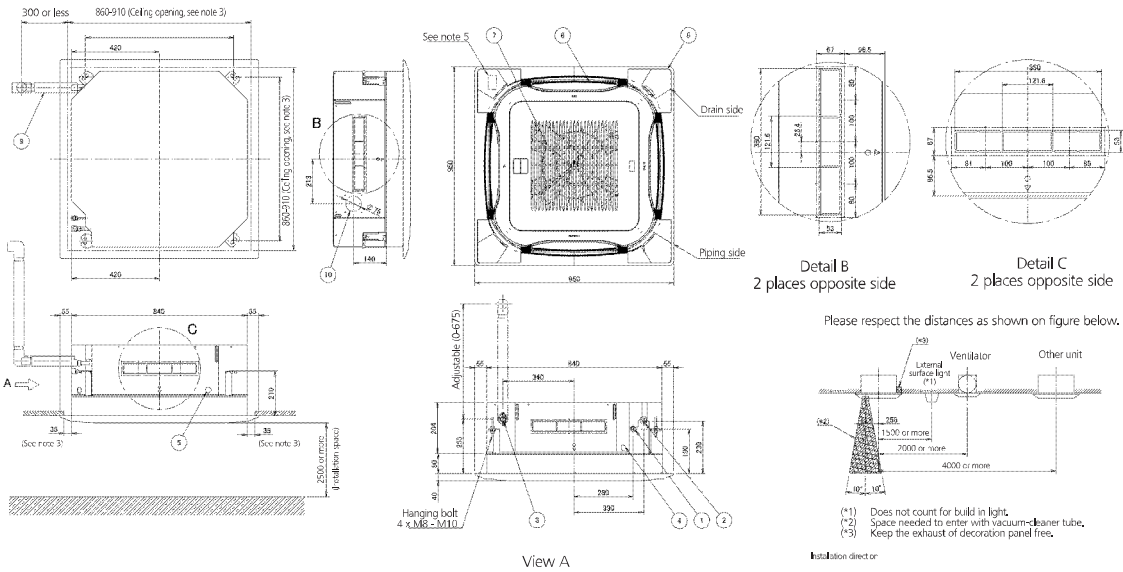


7 Dimensional drawings

7 - 1 Dimensional Drawings with Accessories

FXFQ20-63A

with auto-cleaning panel



- 1 Liquid pipe connection
- 2 Gas pipe connection
- 3 Drain pipe connection
- 4 Power supply entry hole
- 5 Transmission wiring entry hole
- 6 Air discharge opening
- 7 Air suction grille
- 8 Corner decoration cover
- 9 Drain hose
- 10 Knock-out hole

Model
FQIG35-71F, FRQ20-63A

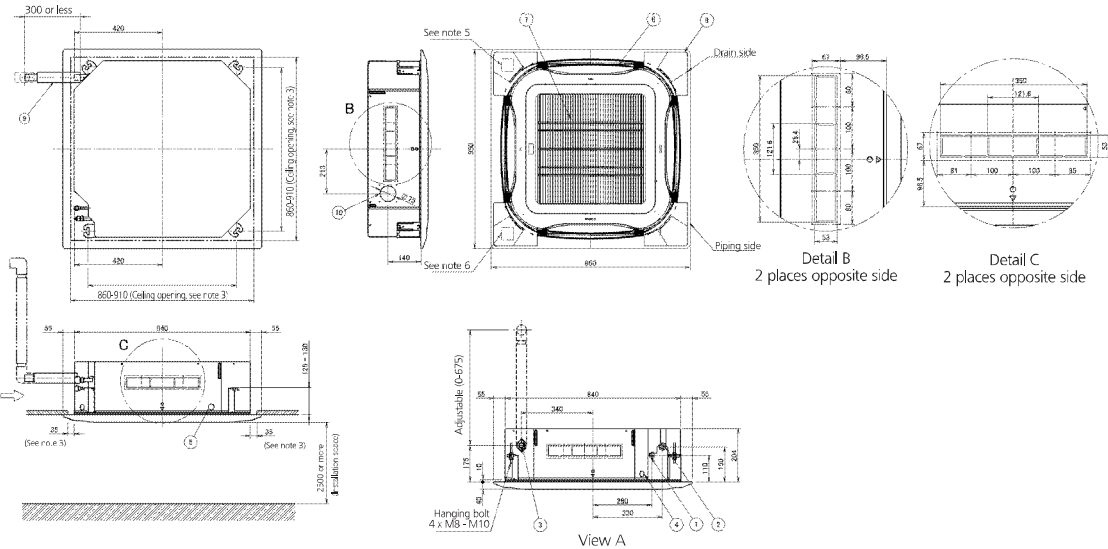
- Notes:**
1. Location of the nameplates:
 - Unit body on the control box cover.
 - Decoration panel on the panel frame at the piping side under the corner cover.
 2. When installing an optional accessory, refer to the installation drawings.
 - For fresh air intake kit an inspection port is necessary.
 3. Make sure the spacing between the ceiling and the cassette is no more than 35mm.
 - MAX ceiling opening: 910mm.
 4. When the conditions exceed 30°C and RH 80% in the ceiling or fresh air is inducted into the ceiling, an additional insulation is required (polyethylene foam, thickness 10 mm or more).
 5. In case of using a sensor kit, this position will be a sensor, refer to the drawing of the sensor kit for more detail.

Required space
 In case a discharge opening is closed with the 'sealing member' option, the distance of 1500mm can be reduced to 500mm on the closed side.

2D090231

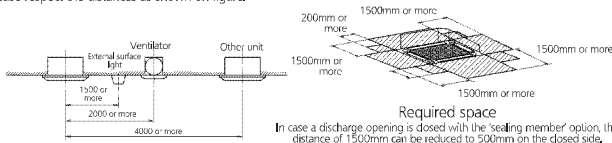
FXFQ20-63A

with standard panel



- Notes:**
1. Location of the nameplate:
 - Unit body on the control box cover.
 - Decoration panel on the panel frame at the piping side under the corner cover.
 2. When installing an optional accessory, refer to the installation drawings.
 - For fresh air intake kit an inspection port is necessary.
 3. Make sure the spacing between the ceiling and the cassette is no more than 35mm.
 - MAX ceiling opening: 910mm.
 4. When the conditions exceed 30°C and RH 80% in the ceiling or fresh air is inducted into the ceiling, an additional insulation is required (polyethylene foam, thickness 10 mm or more).
 5. In case of using a sensor kit, this position will be a sensor, refer to the drawing of the sensor kit for more detail.
 6. In case of using an infrared controller for more detail.

Please respect the distances as shown on figure.



Required space
 In case a discharge opening is closed with the 'sealing member' option, the distance of 1500mm can be reduced to 500mm on the closed side.

2D090245