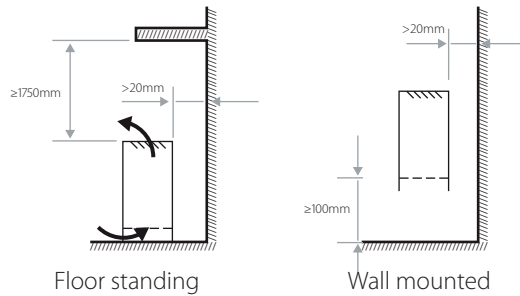


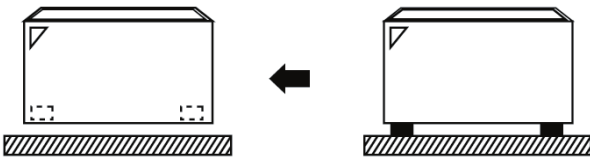
Floor standing unit

For perimeter zone air conditioning

- › Unit can be installed as free standing model by use of optional back plate
- › Its low height enables the unit to fit perfectly beneath a window
- › Stylish modern casing finished in pure white (RAL9010) and iron grey (RAL7011) blends easily with any interior
- › Requires very little installation space



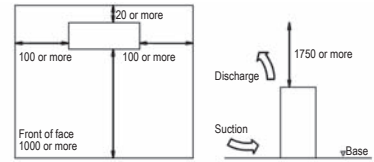
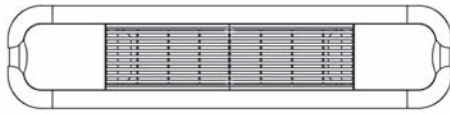
- › Wall mounted installation facilitates cleaning beneath the unit where dust tends to accumulate



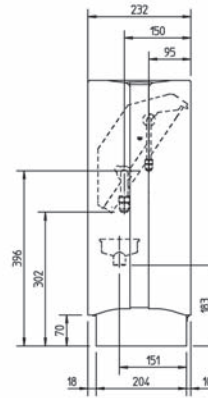
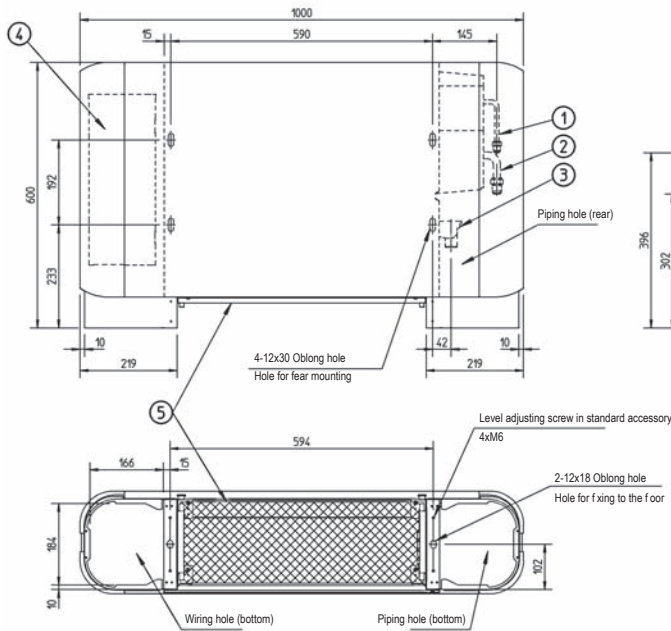
- › Wired remote control can easily be integrated in the unit

Indoor unit			FXLQ	20P	25P	32P	40P	50P	63P
Cooling capacity	Nom.		kW	2.2	2.8	3.6	4.5	5.6	7.1
Heating capacity	Nom.		kW	2.5	3.2	4.0	5.0	6.3	8.000
Power input - 50Hz	Cooling	Nom.	kW	0.049		0.090		0.110	
	Heating	Nom.	kW	0.049		0.090		0.110	
Dimensions	Unit	Height	mm			600			
		Width	mm	1,000		1,140		1,420	
		Depth	mm			232			
Weight	Unit		kg	27		32		38	
Casing	Colour			Fresh white (RAL9010) / Dark grey (RAL7011)					
Fan-Air flow rate - 50Hz	Cooling	High/Low	m ³ /min	7/6		8/6	11/8.5	14/11	16/12
				Resin net					
Air filter	Type								
Sound power level	Cooling	Nom.	dBA	-					
Sound pressure level	Cooling	High/Low	dBA	35/32		38/33		39/34	40/35
		Heating	High/Low	dBA	35/32		38/33		39/34
Refrigerant	Type			R-410A					
	GWP			2,087.5					
Piping connections	Liquid	OD	mm			6.35		9.52	
	Gas	OD	mm			12.7		15.9	
	Drain			O.D. 21 (Vinyl chloride)					
Power supply	Phase/Frequency/Voltage		Hz/V	1~/50/60/220-240/220					
Current - 50Hz	Maximum fuse amps (MFA)		A	15					
Control systems	Infrared remote control			BRC4C65					
	Wired remote control			BRC1D52 / BRC1E52A/B					
	Simplified wired remote control for hotel applications			BRC2E52C (heat recovery type) / BRC3E52C (heat pump type)					

FXLQ20-25P



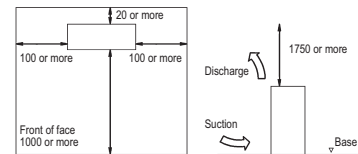
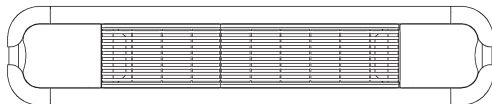
Required installation space



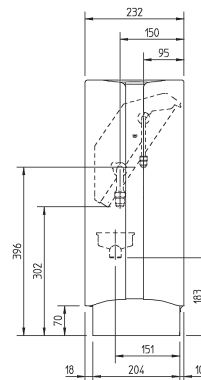
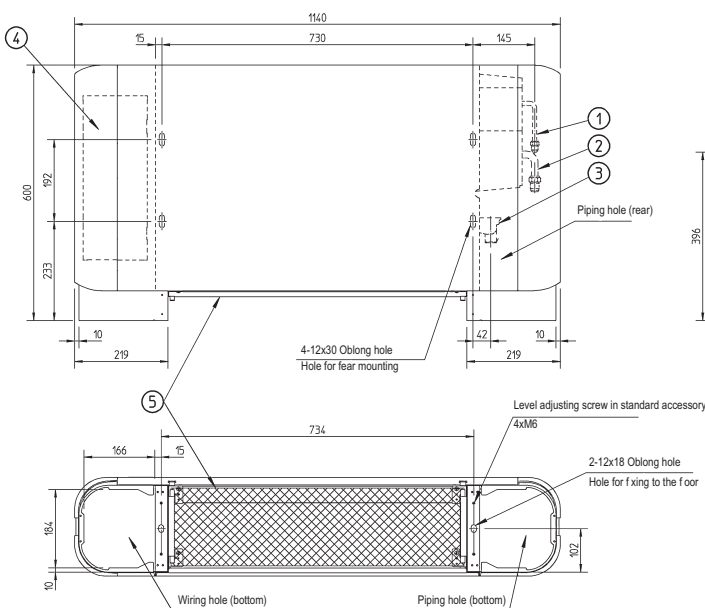
Item	Name	Description
1	Liquid pipe connection	Ø6.4 Flare connection
2	Gas pipe connection	Ø12.7 Flare connection
3	Drain pipe connection	O.D.Ø21
4	Switch box	
5	Air filter	

3TW32294-1

FXLQ32-40P



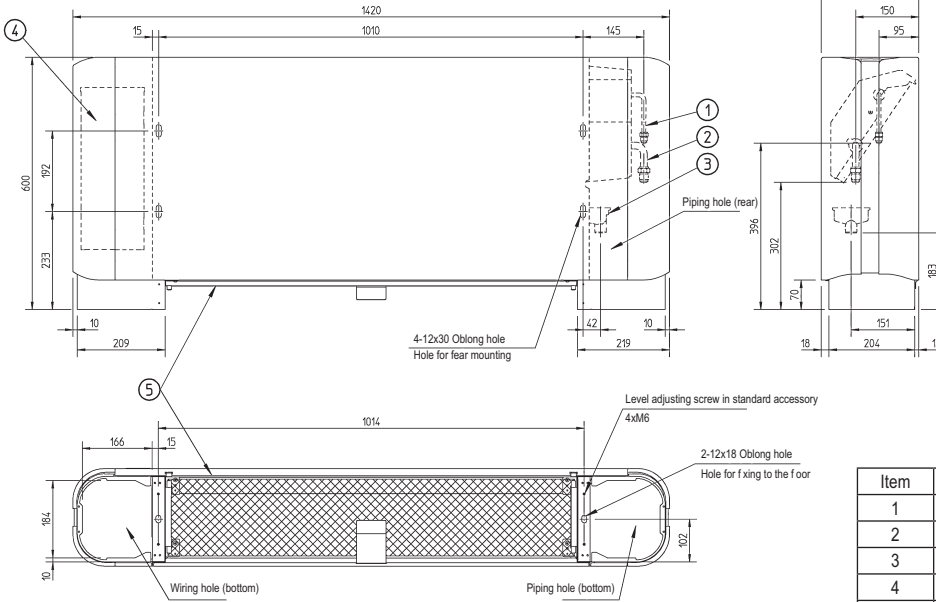
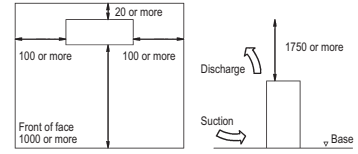
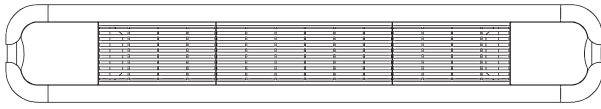
Required installation space



Item	Name	Description
1	Liquid pipe connection	Ø6.4 Flare connection
2	Gas pipe connection	Ø12.7 Flare connection
3	Drain pipe connection	O.D.Ø21
4	Switch box	
5	Air filter	

3TW32314-1

FXLQ50-63P



Model	A	B
FXL050	Ø6.4	Ø12.7
FXL063	Ø9.5	Ø15.9

Item	Name	Description
1	Liquid pipe connection	ØA Flare connection
2	Gas pipe connection	ØB Flare connection
3	Drain pipe connection	O.D.Ø21
4	Switch box	
5	Air filter	

3TW32334-1