

Wall mounted unit

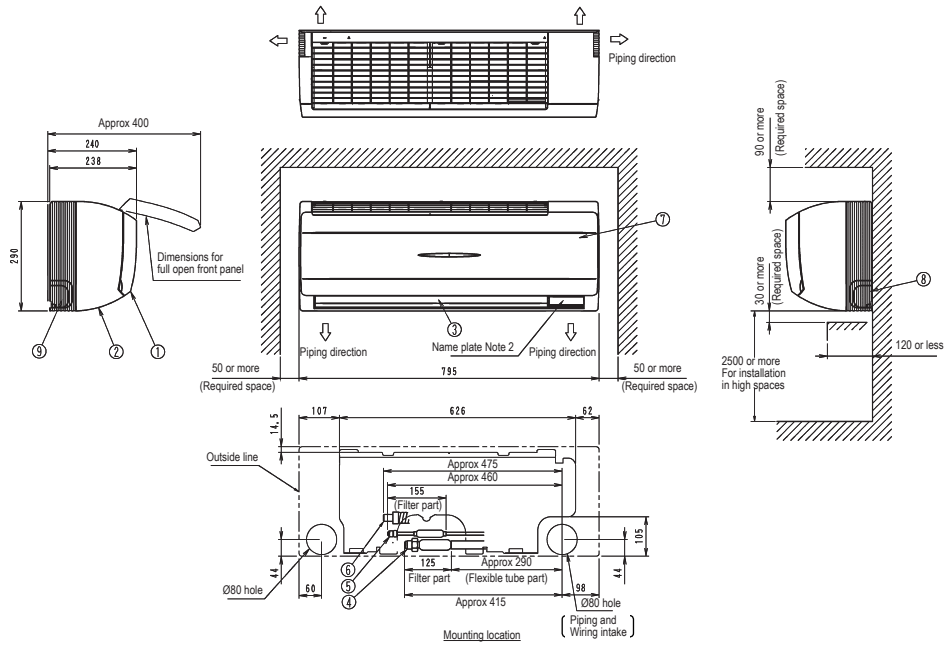
For rooms with no false ceilings nor free floor space

- › Flat, stylish front panel blends easily within any interior décor and is easier to clean
- › Can easily be installed in both new and refurbishment projects
- › 15 class unit especially developed for small or well-insulated rooms, such as hotel bedrooms, small offices, etc.
- › Reduced energy consumption thanks to specially developed DC fan motor
- › The air is comfortably spread up- and downwards thanks to 5 different discharge angles that can be programmed via the remote control
- › Maintenance operations can be performed easily from the front of the unit



Indoor unit		FXAQ	15P	20P	25P	32P	40P	50P	63P	
Cooling capacity	Nom.	kW	1.7	2.2	2.8	3.6	4.5	5.6	7.1	
Heating capacity	Nom.	kW	1.9	2.5	3.2	4.0	5.0	6.3	8.0	
Power input - 50Hz	Cooling	Nom.	0.017	0.019	0.028	0.030	0.020	0.033	0.050	
	Heating	Nom.	0.025	0.029	0.034	0.035	0.020	0.039	0.060	
Dimensions	Unit	Height	mm				290			
		Width	mm				795		1,050	
		Depth	mm				238			
Weight	Unit	kg	11				14			
Casing	Colour	White (3.0Y8.5/0.5)								
Fan-Air flow rate - 50Hz	Cooling	High/Low	m ³ /min	7.0/4.5	7.5/4.5	8/5	8.5/5.5	12/9	15/12	19/14
				Washable resin net						
Air filter	Type	Washable resin net								
Sound power level	Cooling	High/Nom.	dB	52.0/-	53.0/-	54.0/-	55.5/-	57.0/-	60.0/-	65.0/-
Sound pressure level	Cooling	High/Low	dB	34.0/29.0	35.0/29.0	36.0/29.0	37.5/29.0	39.0/34.0	42.0/36.0	47.0/39.0
Refrigerant	Type	R-410A								
	GWP	2,087.5								
Piping connections	Liquid	OD	mm				6.35			
	Gas	OD	mm				12.7			
	Drain	VP13 (I.D. 13/O.D. 18)								
Power supply	Phase/Frequency/Voltage	Hz/V	1~/50/220-240							
Current - 50Hz	Maximum fuse amps (MFA)	A	16							
Control systems	Infrared remote control	BRC7EB518								
	Wired remote control	BRC1E52A/B / BRC1D52								
	Simplified wired remote control for hotel applications	BRC2E52C (heat recovery type) / BRC3E52C (heat pump type)								

FXAQ15-32P



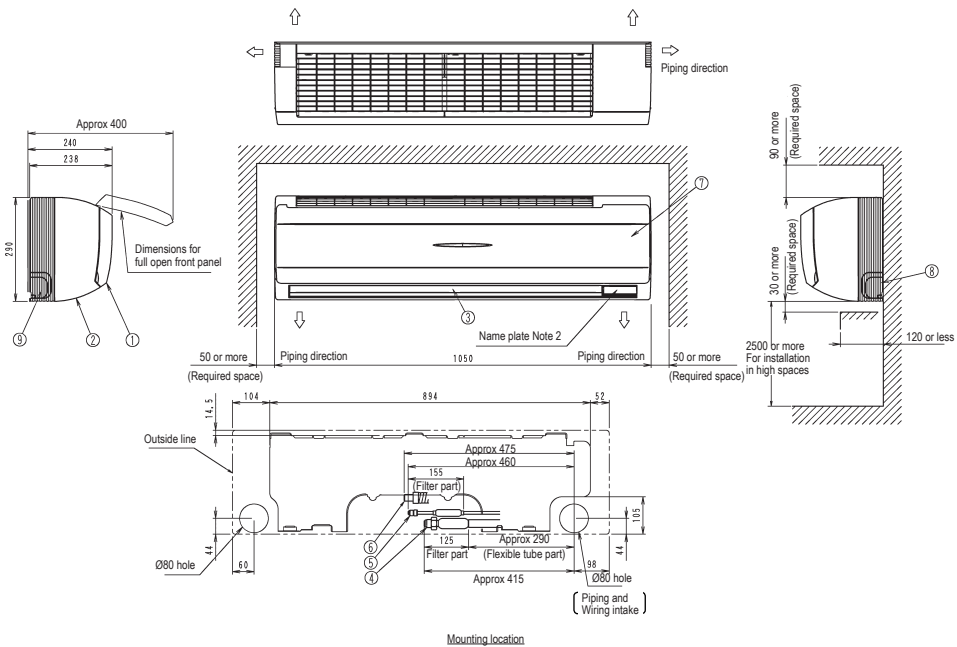
3D065064A

Nr	Name	Description
1	Front panel	
2	Front grill	
3	Air outlet	
4	Gas pipe	Ø12.7mm Flare connection
5	Liquid pipe	Ø6.4mm Flare connection
6	Drain hose	VP13 (External dia. Ø18)
7	Grounding terminal	M4
8	Right side pipe connection hole	
9	Left side pipe connection hole	

NOTES

- 1 Location of unit's of Name Plate: Right side surface of casing.
- 2 In case of using infrared remote control, this position will be a signal receiver. Refer to the drawing of infrared remote control in detail.

FXAQ40-50P



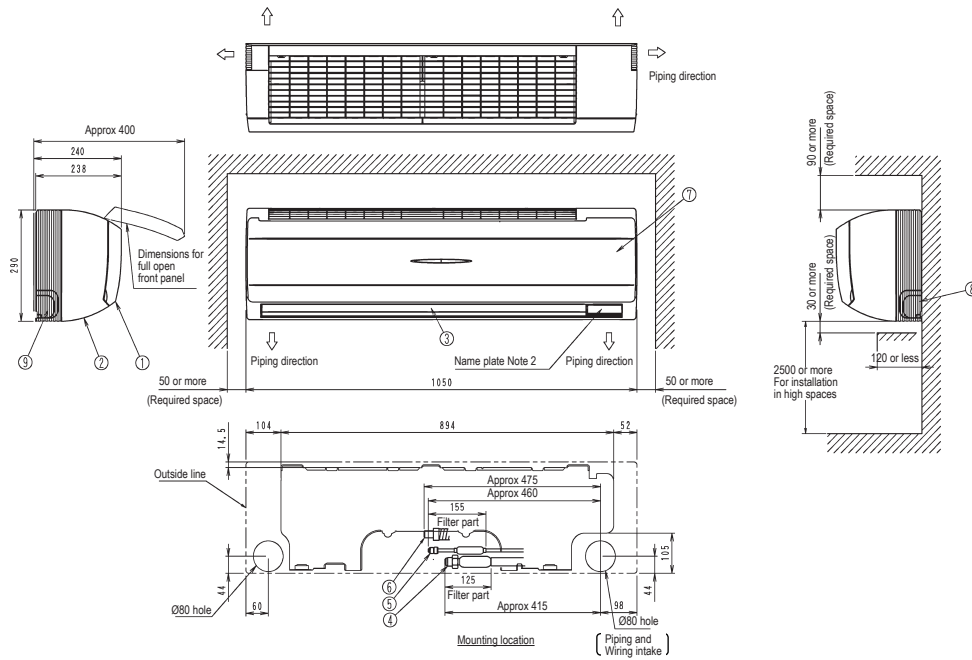
3D065065A

Nr	Name	Description
1	Front panel	
2	Front grill	
3	Air outlet	
4	Gas pipe	Ø12.7mm Flare connection
5	Liquid pipe	Ø6.4mm Flare connection
6	Drain hose	VP13 (External dia. Ø18)
7	Grounding terminal	M4
8	Right side pipe connection hole	
9	Left side pipe connection hole	

NOTES

- 1 Location of unit's of Name Plate: Right side surface of casing.
- 2 In case of using infrared remote control, this position will be a signal receiver. Refer to the drawing of infrared remote control in detail.

FXAQ63P



3D065066A

Nr	Name	Description
1	Front panel	
2	Front grill	
3	Air outlet	
4	Gas pipe	Ø15.9mm Flare connection
5	Liquid pipe	Ø9.5mm Flare connection
6	Drain hose	VP13 (External dia. Ø18)
7	Grounding terminal	M4
8	Right side pipe connection hole	
9	Left side pipe connection hole	

NOTES

- 1 Location of unit's of Name Plate: Right side surface of casing.
- 2 In case of using infrared remote control, this position will be a signal receiver. Refer to the drawing of infrared remote control in detail.